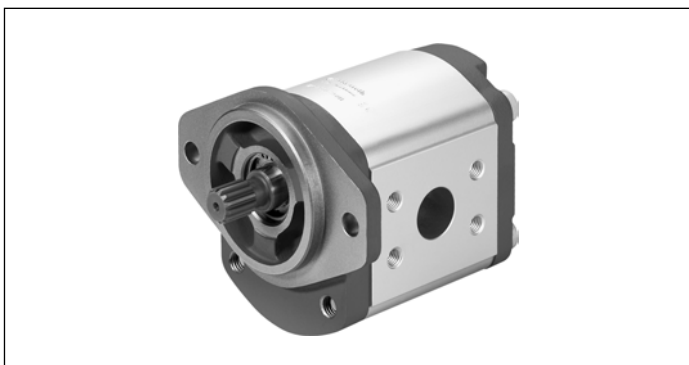


External gear motor AZMG



- ▶ Platform G
- ▶ Fixed displacement
- ▶ Size 22 ... 45
- ▶ Continuous pressure up to 250 bar
- ▶ Maximum start-up pressure up to 280 bar

Features

- ▶ Consistently high quality due to high-volume series production
- ▶ Long service life
- ▶ Wide speed range
- ▶ Slide bearings for high loading
- ▶ Numerous configuration variants available
- ▶ Output shafts according to ISO or SAE and customer-specific solutions
- ▶ Line connection: Connection flanges
- ▶ High pressures though small installation space and low weight
- ▶ Wide viscosity and temperature range

Contents

Functional description	2
Product overview AZMG preferred types	2
Type code	3
Technical data	4
Hydraulic fluid	6
Diagrams/characteristic curves	7
Output drives	8
Max. transmissible output torques	8
Dimensions – drive shaft	8
Dimensions – front cover	8
Dimensions – standard line connection	8
Dimensions – preferred series	9
Accessories	10
Project planning notes	11
Order number overview	11
AZ Configurator	12

Functional description

General

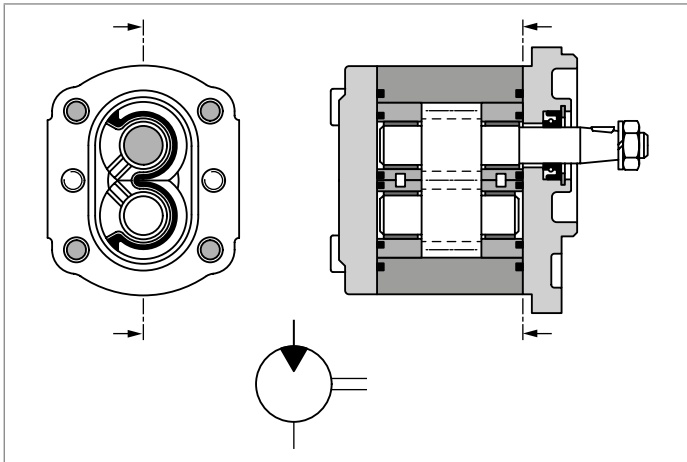
The key task of external gear motors is to convert hydraulic energy (flow and pressure) into mechanical energy (torque and rotational speed). To reduce heat loss, Rexroth external gear motors are designed to be extremely efficient. This efficiency is achieved through pressure-dependent gap sealing and high-precision manufacturing technology. Rexroth external gear motors are available in four platforms: Platforms B, F, N and G, with different gear wheel widths within a platform for different displacements. Additional versions with different flanges, shafts and valve attachments are also available.

At external gear motors, you distinguish between motors for one direction of rotation and reversible motors.

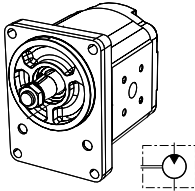
Gear motor for one direction of rotation

These gear motors are designed asymmetrically, i.e., fixed high-pressure and low-pressure sides. This means reversing operation is not possible. Motors require a special start-up sequence to ensure good efficiency. Any leakage oil is drained internally. The shaft seal limits drainage pressure.

▼ Gear motor for one direction of rotation



Product overview AZMG preferred types

Version	Page
	9

Type code

01	02	03	04	05	06	07	08	09	10	11	12	13	
AZM	G	-			-							-	

External gear unit

01	External gear motor	AZM
----	---------------------	------------

Series

02	22.5 cm ³ /rev to 45 cm ³ /rev, high performance, platform G	G
----	--	----------

Series

03	Bearing pin Ø26 mm	2
----	--------------------	----------

Version

04	Corrosion-resistant, pinned	2
----	-----------------------------	----------

Size (NG)

05	Geometric displacement V_g [cm ³], see chapter "Technical data"	022	032	045
----	---	------------	------------	------------

Direction of rotation

06	Viewed on drive shaft	clockwise	R
		counter-clockwise	L


Drive shaft

07	Tapered shaft	1 : 5	Suitable front cover	B	C
----	---------------	-------	-----------------------------	---	----------

Front cover

08	Rectangular flange	Ø 105 mm	B
----	--------------------	----------	----------

Line connection

09	Square flange		20
----	---------------	---	-----------

Sealing material

10	NBR (nitrile rubber)	M
----	----------------------	----------

End cover

11	Without valve (standard)	B
----	--------------------------	----------

Technical data

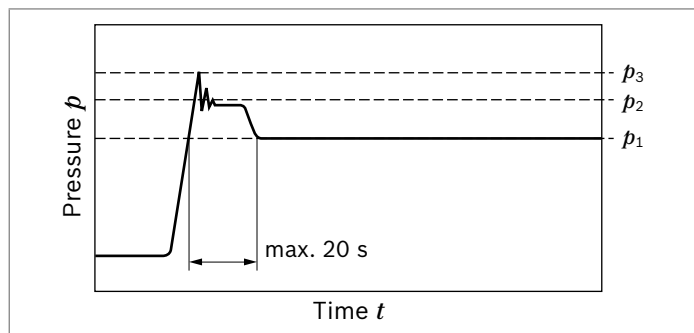
▼ Table of values

Size				22	32	45
Series					Series 2x	
Displacement		V_g	cm ³	22.5	32	45
Motor inlet pressure	maximum continuous pressure	p_1	bar	250	250	250
	maximum start-up pressure	p_2	bar	280	280	280
	maximum pressure peak	p_3	bar	300	300	300
	minimum inlet pressure abs. ¹⁾	p_{min}	bar	0.7	0.7	0.7
Motor output pressure	abs.	p_A	bar	3	3	3
	upon start-up	p_A	bar	10	10	10
Rotational speed $v = 12 \text{ mm}^2/\text{s}$ minimum with	$p < 100 \text{ bar}$	n_{min}	rpm	500	500	500
	$p = 100 \dots 180 \text{ bar}$	n_{min}	rpm	1200	1000	800
	$p = 180 \text{ bar} \dots p_2$	n_{min}	rpm	1400	1400	1000
	$v = 25 \text{ mm}^2/\text{s}$ at p_2	n_{min}	rpm	600	500	500
Rotational speed maximum	at p_1	n_{max}	rpm	3000	2800	2600

General data

Installation position	No restrictions
Type of mounting	See offer drawing
Line connections	See chapter "Dimensions – line connection"
Direction of rotation viewed on drive shaft	One direction of rotation (motor rotation is only admissible in the indicated direction)
Drive shaft loading	Axial and radial forces on request only

▼ Pressure definition



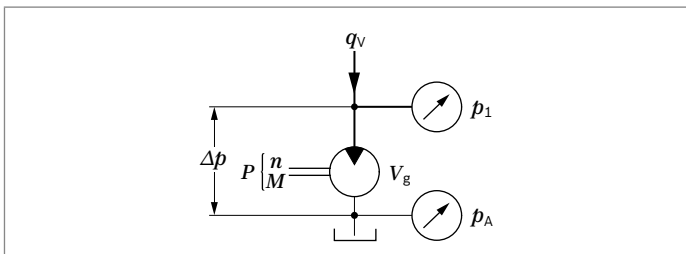
- p_1 Maximum continuous pressure
- p_2 Maximum start-up pressure
- p_3 Maximum pressure peak

1) To avoid low inlet pressures with fast reduction of the inlet amount and large flywheel mass of the consumer, an anti-cavitation valve with correspondingly low pressure drop is to be provided.

Determining characteristics		
Inlet flow	$q_v = \frac{V_g \times n}{1000 \times \eta_v}$	[l/min]
Rotational speed	$n = \frac{q_v \times 1000 \times \eta_v}{V_g}$	[rpm]
Torque	$M = \frac{V_g \times \Delta p \times \eta_{hm}}{20 \times \pi}$	[Nm]
Power	$P = \frac{2 \pi \times M \times n}{60000} = \frac{q_v \times \Delta p \times \eta_t}{600}$	[kW]

Key

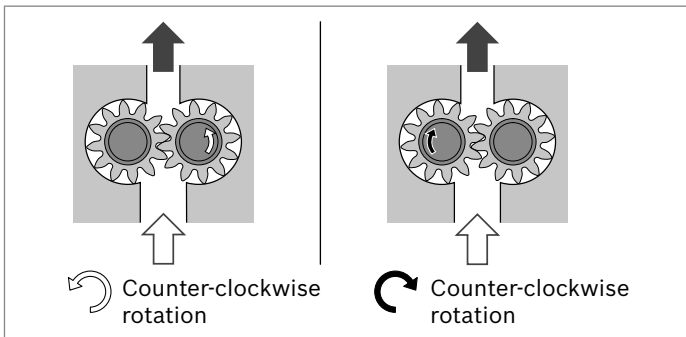
- V_g Displacement per revolution [cm³]
- Δp Differential pressure [bar] ($\Delta p = p_1 - p_A$)
- n Rotational speed [rpm]
- q_v Inlet flow [l/min]
- M Torque [Nm]
- P Power [kW]
- η_v Volumetric efficiency¹⁾
- η_{hm} Hydraulic-mechanical efficiency¹⁾
- η_t Total efficiency ($\eta_t = \eta_v \times \eta_{hm}$)¹⁾



Notice

- ▶ Please observe the safety requirements for the overall system.
- ▶ Please contact us regarding applications with frequent load cycles.
- ▶ In the "Diagrams/characteristic curves" chapter, you can find diagrams for a rough calculation.

▼ **Direction of rotation viewed on drive shaft**



1) Parameter as a decimal, e.g. 0.9

Hydraulic fluid

The external gear unit is designed for operation with HLP mineral oil according to DIN 51524 1–3. For higher loading, Bosch Rexroth recommends HLP according to DIN 51524 Part 2 as a minimum.¹⁾

See the following data sheets for application instructions and requirements for selecting hydraulic fluid, behavior during operation as well as disposal and environmental protection before you begin project planning:

- ▶ 90220: Hydraulic fluids based on mineral oils and related hydrocarbons

Explanation regarding the selection of hydraulic fluid

Selection of hydraulic fluid shall make sure that the operating viscosity in the operating temperature range is within the optimal range (v_{opt} ; see selection diagram).

Viscosity and temperature of hydraulic fluids

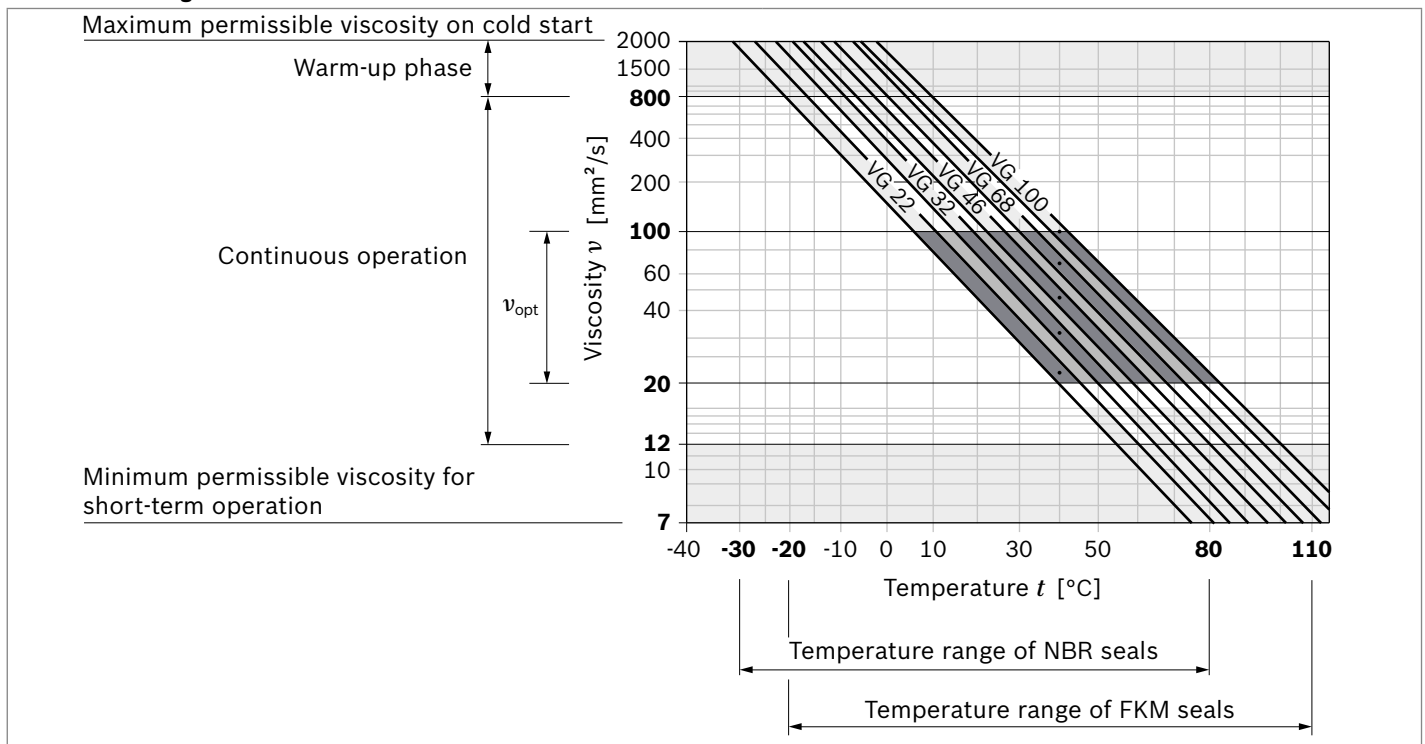
Viscosity range

Permissible in continuous operation	$v = 12 \dots 800 \text{ mm}^2/\text{s}$
Recommended in continuous operation	$v_{opt} = 20 \dots 100 \text{ mm}^2/\text{s}$
Permissible for cold start	$v_{max} \leq 2000 \text{ mm}^2/\text{s}$

Temperature range

With NBR seals (NBR = nitrile rubber)	$t = -30 \text{ }^\circ\text{C} \dots +80 \text{ }^\circ\text{C}$
With FKM seals (FKM = fluoroelastomer)	$t = -20 \text{ }^\circ\text{C} \dots +110 \text{ }^\circ\text{C}$

Selection diagram

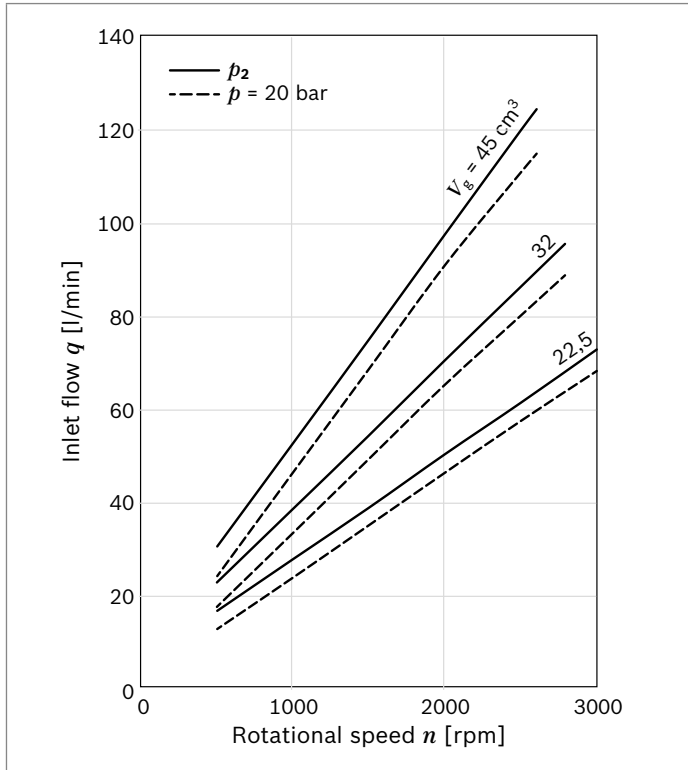


¹⁾ Other hydraulic fluids on request.

Diagrams/characteristic curves

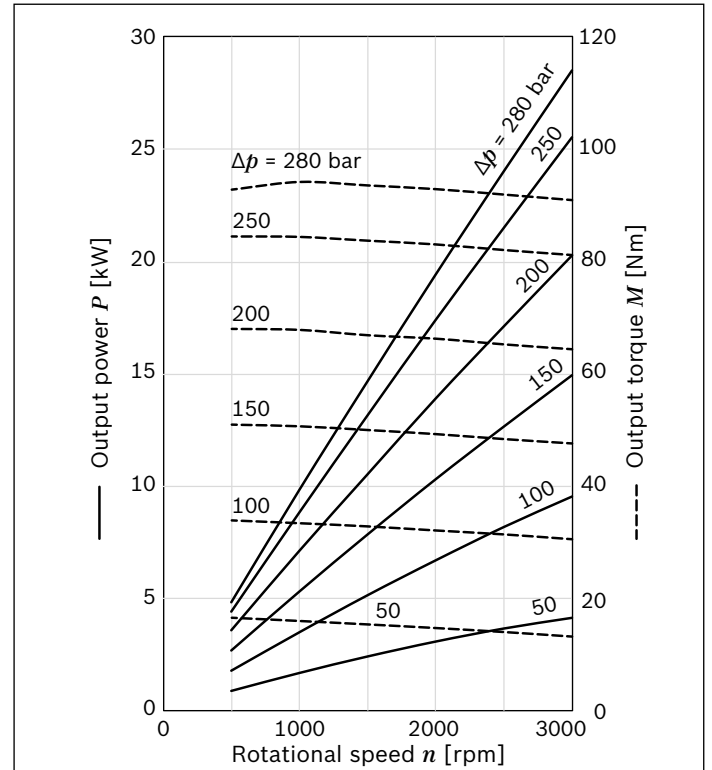
Inlet flow characteristic curves

▼ Inlet flow

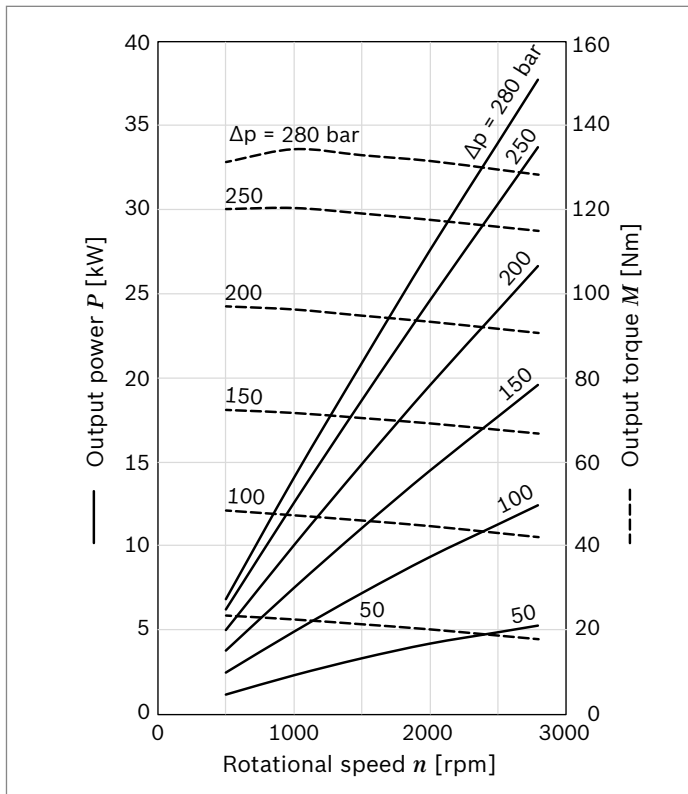


Performance charts

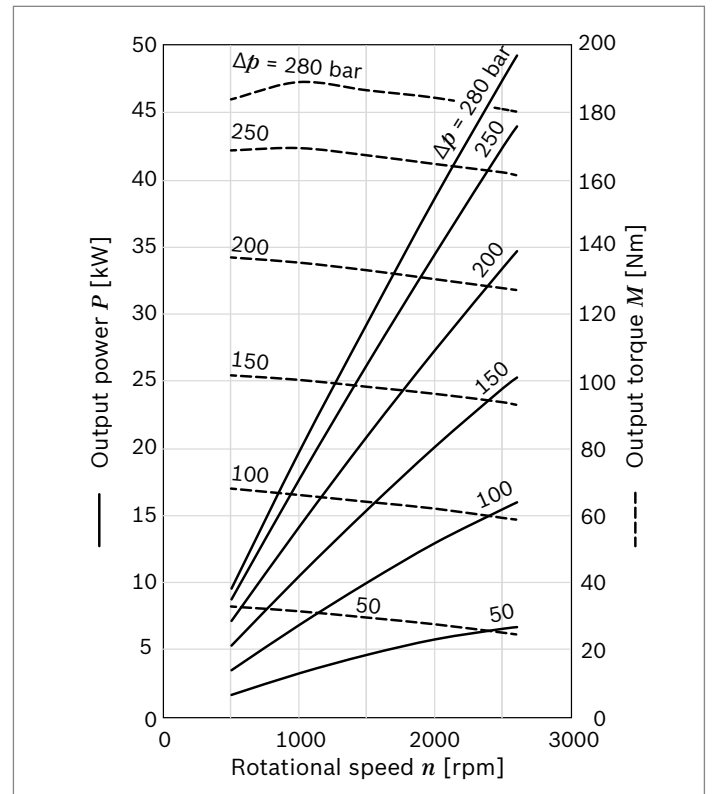
▼ Size 22



▼ Size 32



▼ Size 45



Notice

Characteristic curves measured at $\nu = 32 \text{ mm}^2/\text{s}$ and $t = 50 \text{ }^\circ\text{C}$.

$P = f(n, p)$ incl. η_t

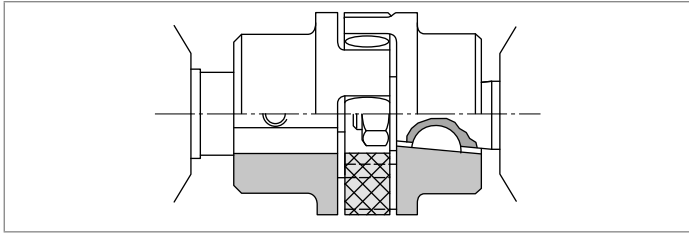
$M = f(n, p)$ incl. η_{hm}

—
- - -

Output drives

1. Elastic couplings

- ▶ The coupling should not transfer any radial or axial forces to the motor.
- ▶ The maximum radial runout deviation from the motor shaft to the spigot should not exceed 0.2 mm.
- ▶ See the coupling manufacturer's assembly instructions for permissible shaft misalignment tolerances.



Max. transmissible output torques

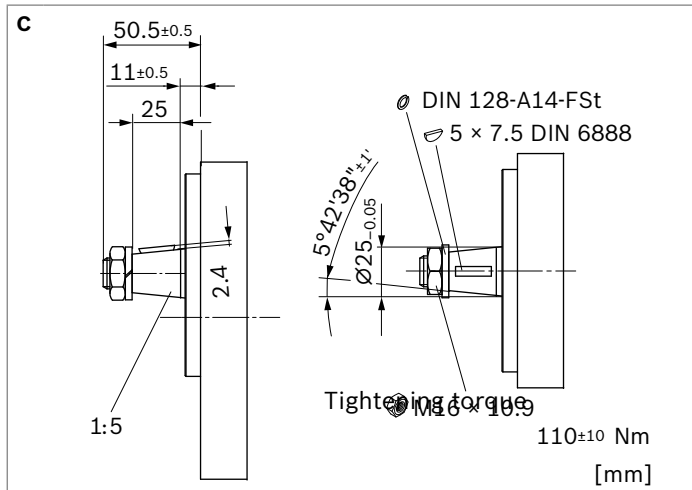
Tapered shaft

Drive shaft		Front cover		M_{max}	Size	$p_{2 max}$
Code	Designation	Code	Nm			bar
C	1 : 5	B	290	22 ... 45	280	

1)

Dimensions – drive shaft

▼ 1:5 tapered shaft

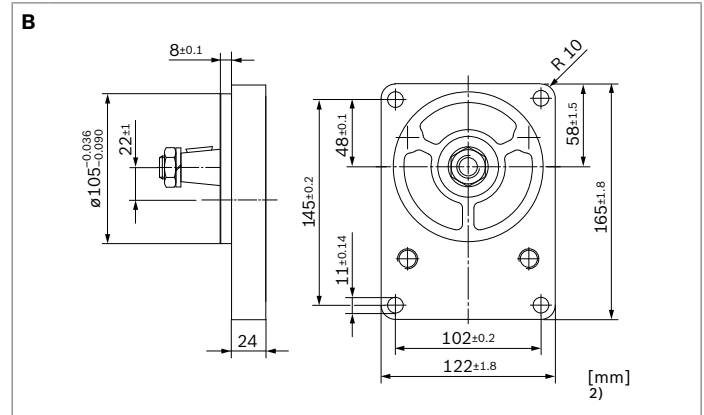


1) For other version, see offer drawing

1)

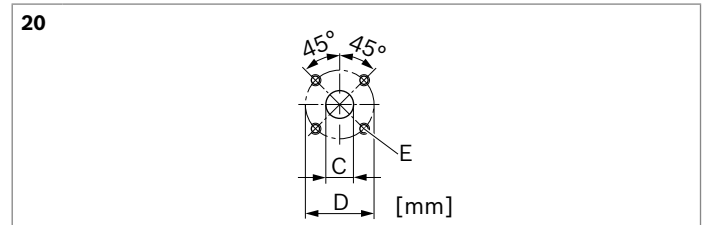
Dimensions – front cover

▼ Rectangular flange $\varnothing 105$ mm



Dimensions – standard line connection

▼ Square flange

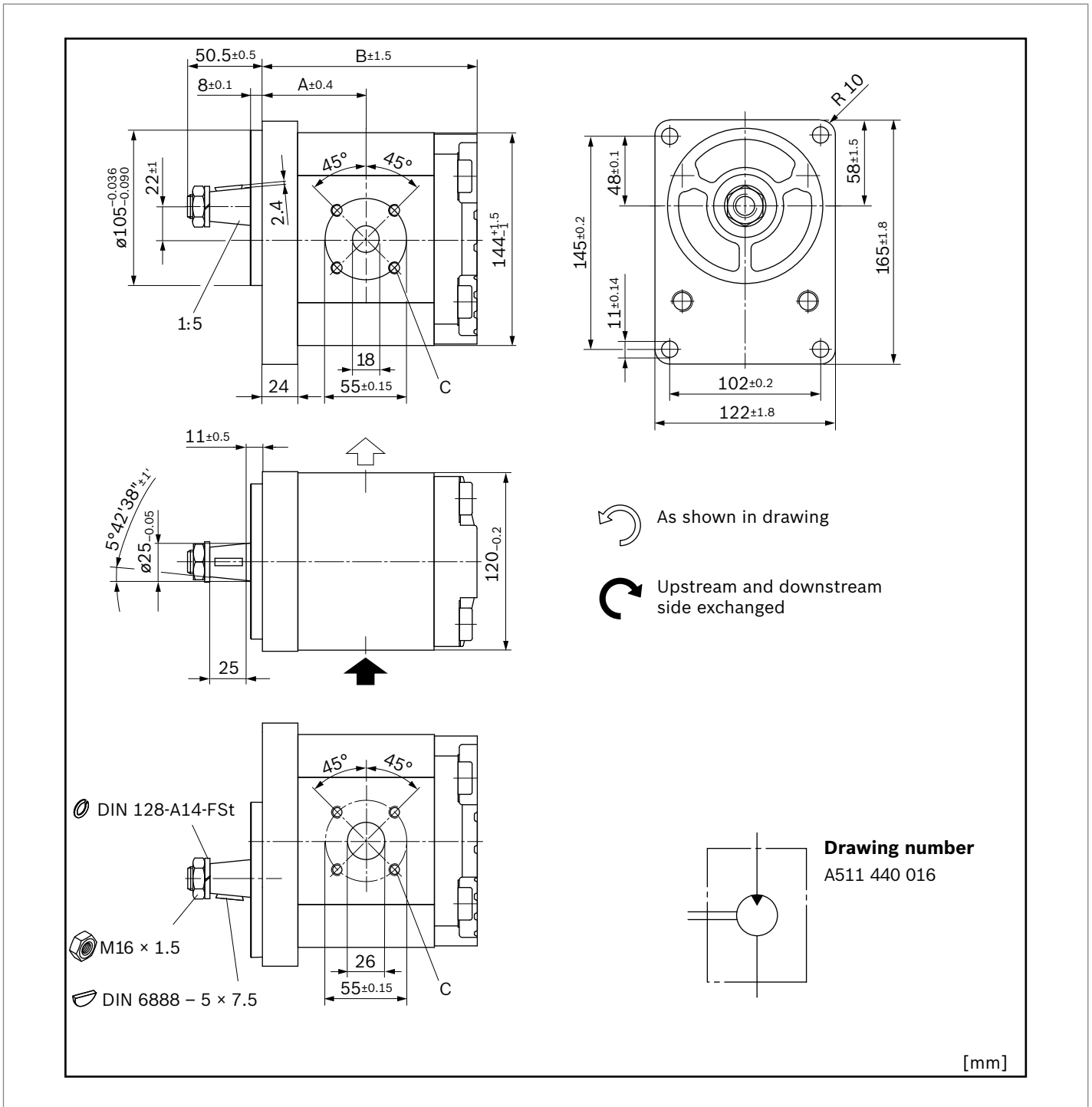


Direction of rotation	Series	Size	Upstream side			Downstream side		
			C	D	E	C	D	E
right/left	2x	22 ... 45	18	55	M8; 13 deep	26	55	M8; 13 deep

2) Customer-specific versions may differ (see offer drawing)

Dimensions – preferred series

▼ **1:5 tapered shaft with rectangular flange $\varnothing 105$ mm**
AZMG-...-xCB20MB

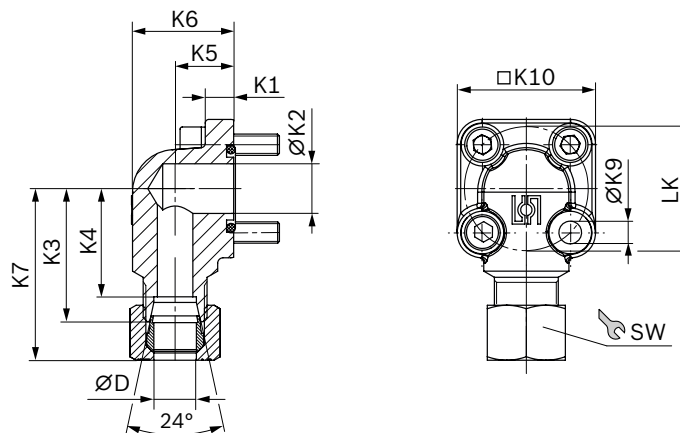


NG	Order number		Maximum start-up pressure p_2 [bar]	Maximum rotational speed [rpm]	Dimensions		
	Direction of rotation Counter-clockwise	Clockwise			A	B	C
22	0511725317	0511725036	280	3000	60.9	124.6	M8; min. 13 deep
32	0511725318	0511725037	280	2800	64.8	132.4	
45	0511725319	0511725038	280	2600	70.1	143.1	

Accessories

▼ 90° angle flange, for square flange 20 (see chapter "Line connection")

Complete fitting with
O-ring, metric screw set,
nut and cutting ring.



LK	D	Series ¹⁾	Material number	p_{max}	K1	K2	K3	K4	K5	K6	K7	K9	K10	SW	Screws	O-ring	Weight	
mm	mm			bar	mm	mm	mm	mm	mm	mm	mm	mm	mm	mm	2 ×	2 ×	NBR	kg
55	20	S	1515702004	250	13	18.2	45	34.5	24	38	57.0	8.4	58	36	M8 × 25	M8 × 50	32 × 2.5	0.62
55	30	S	1515702006	250	12	26.5	49	38.5	32	51	63.5	8.4	58	50	M8 × 25	M8 × 50	32 × 2.5	0.63
55	35	L	1515702005	100	12	26.5	49	38.5	32	52	61.0	8.4	58	50	M8 × 25	M8 × 60	32 × 2.5	0.77
55	42	L	1515702019	100	12	26.5	49	38.0	40	64	61.5	8.4	58	60	M8 × 25	M8 × 70	32 × 2.5	1.04

1) See DIN EN ISO 8434-1

Project planning notes

Technical data

All specified technical data is based on manufacturing tolerances and apply with certain constraints.

Note that this makes certain deviations possible and that technical data may vary with certain constraints (e.g., viscosity).

Motors delivered by Bosch Rexroth are tested for function and performance.

The motor should only be operated with the permissible data (see page chapter "Technical data").

Characteristic curves

When dimensioning the gear motor, observe the maximum possible application data based on the characteristic curves.

Filtration of the hydraulic fluid

Since the majority of premature failures in gear motors occur due to contaminated hydraulic fluid, filtration should at least maintain a cleanliness level of 20/18/15 as defined by ISO 4406.

This can reduce contamination to a permissible degree in terms of particle size and concentration.

Bosch Rexroth generally recommends full-flow filtration. Basic contamination of the hydraulic fluid used may not exceed level 20/18/15 according to ISO 4406. Experience has shown that even new fluids are often above this value. In this case, a filling device with a special filter should be used.

Bosch Rexroth does not accept any warranty for wear due to contamination.

Further information

Installation drawings and dimensions are valid at date of publication, subject to modifications.

Further information and notes on project planning can be found in the "General instruction manual for external gear units" (07012-B1, Chapter 5.5).

Order number overview

Order number	Type	Page
0511725036	AZMG-22-022RCB20MB	9
0511725317	AZMG-22-022LCB20MB	9
0511725037	AZMG-22-032RCB20MB	9
0511725318	AZMG-22-032LCB20MB	9
0511725038	AZMG-22-045RCB20MB	9
0511725319	AZMG-22-045LCB20MB	9

AZ Configurator

With our practical product selector, it will take you next to no time to find the right solution for your applications, no matter whether you are looking for Standard Performance or any other external gear unit.

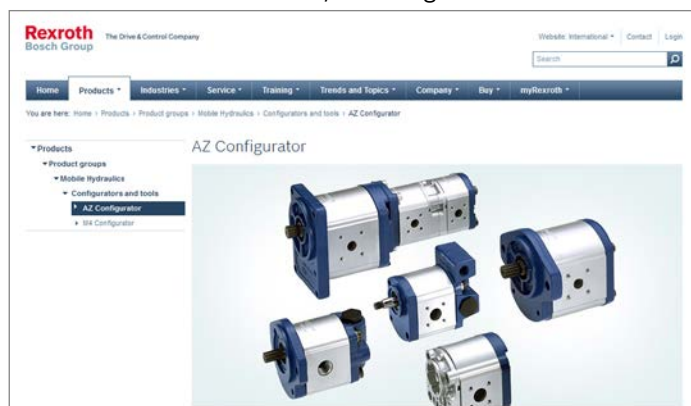
Based on a selection of features, the selector guides you through all of the products available for order. By clicking on the order number, you can view and download the following product information: data sheet, dimension sheet, instruction manual, operating conditions and tightening torques.

You can order your selection directly via our online shop and benefit from an additional discount of 2% in this way. And if you need something really quickly, simply use our fast delivery and preferred programs (GoTo). Your order will then be dispatched within 10 business days.

You also have the possibility of easily and conveniently configuring your custom external gear unit with our AZ Configurator. All the data required for the project planning of external gear units can be obtained through the menu navigation.

For an existing configuration, the result is the order number, the type code and further information. If your configuration does not result in an orderable product, our online tools give you the possibility of sending a project request directly to Bosch Rexroth. We will then get in contact with you.

Link: www.boschrexroth.de/az-configurator



Bosch Rexroth AG

Robert-Bosch-Straße 2
71701 Schwieberdingen,
Germany
brm-az.info@boschrexroth.de
www.boschrexroth.com

© Bosch Rexroth AG 2019. All rights reserved, also regarding any disposal, exploitation, reproduction, editing, distribution, as well as in the event of applications for industrial property rights. The data specified within only serves to describe the product. No statements concerning a certain condition or suitability for a certain application can be derived from our information. The information given does not release the user from the obligation of own judgment and verification. It must be remembered that our products are subject to a natural process of wear and aging.